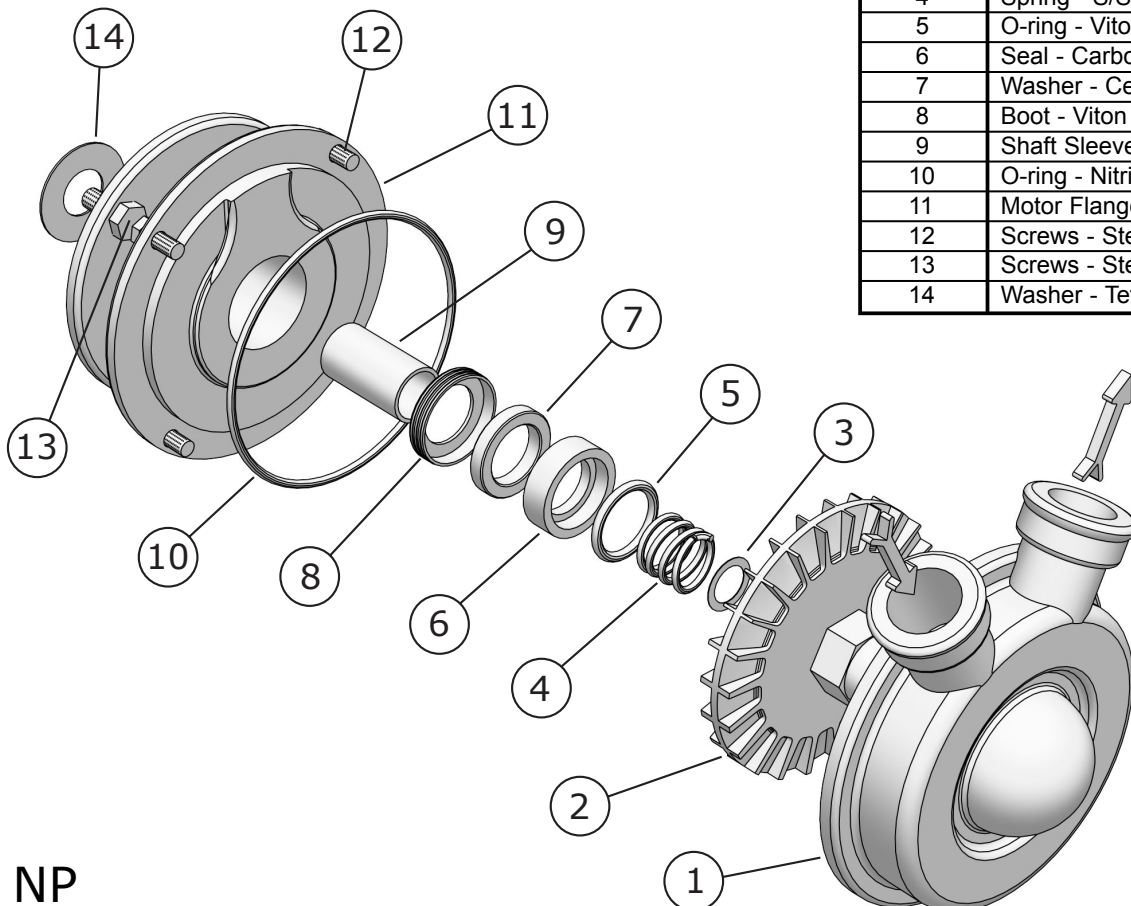


NOVA SP

POSITION NUMBER	DESCRIPTION
1	Pump Body - Bronze
2	Impeller - Bronze
3	Shim - Brass
4	Spring - S/Steel
5	O-ring - Viton
6	Seal - Carbon
7	Washer - Ceramic/SiC
8	Boot - Viton
9	Shaft Sleeve - S/Steel
10	O-ring - Nitrile
11	Motor Flange - Bronze
12	Screws - Steel
13	Screws - Steel
14	Washer - Teflon



NOVA NP